

B.3: Validé

Shell are compliant for use with modules polarization N, A, B, C, D

Technical Characteristics

Material & finishes

- Shell : Composite nickel plated
- Keying colour coding plate : Composite
- Sealing gasket : Silicone elastomer
- Nut plate : Stainless steel

Electrical

- Housing (shell) electrical continuity : < 3mΩ
- Shielding effectiveness : > 50dB attenuation from 100 to 1 000 MHz

Climatic

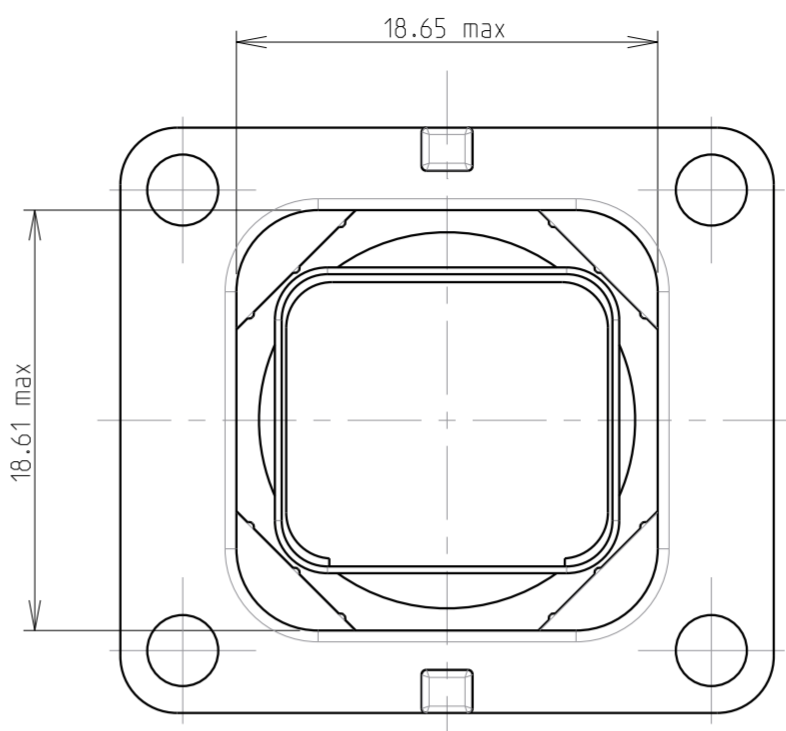
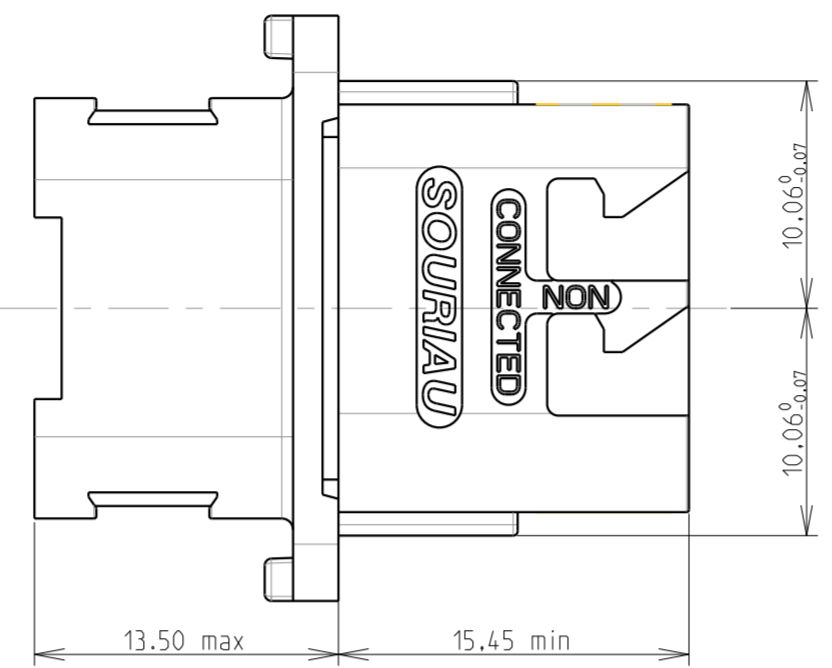
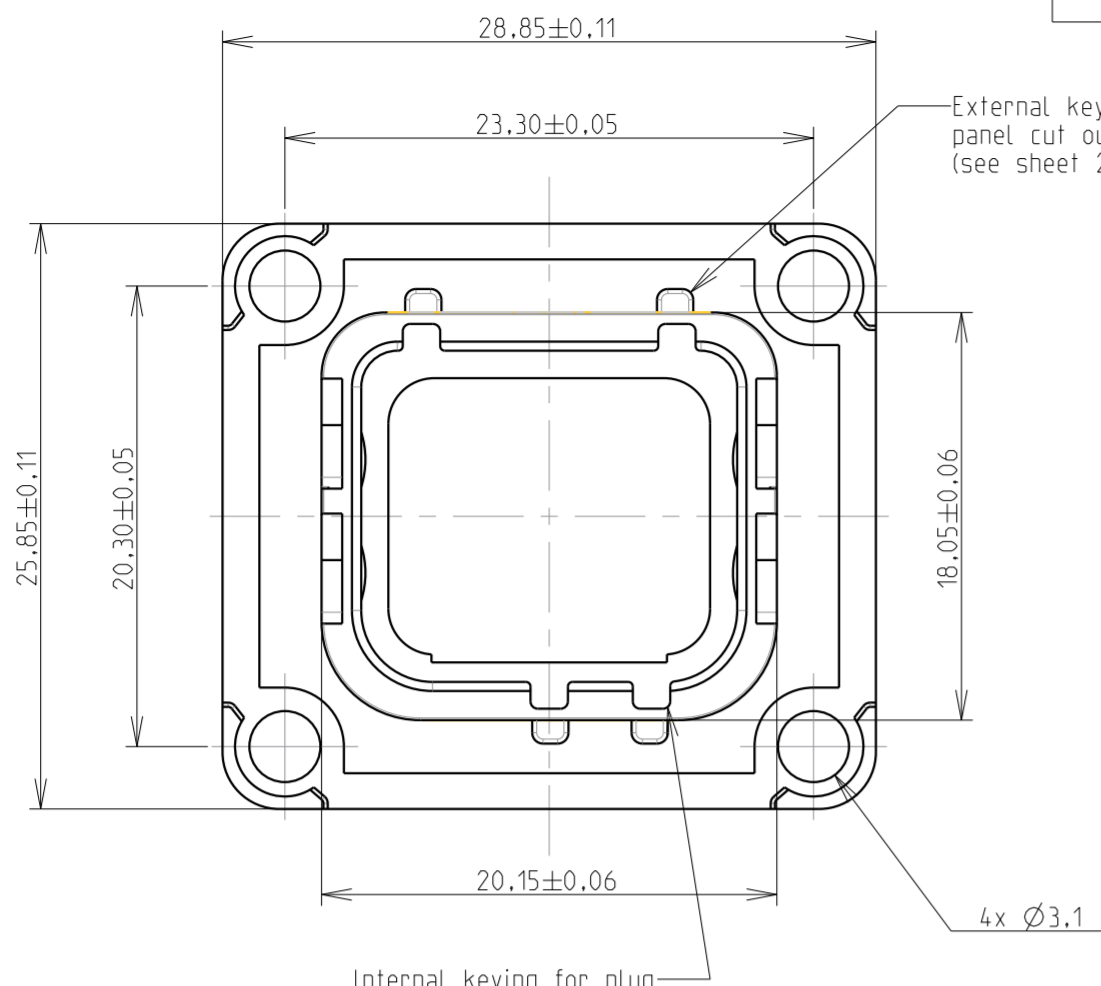
- Operating temperature range : -55°C to +175°C
- Salt spray (corrosion) : 500 hrs

Mechanical

- Compliant EN4165 - BACC65 - ARINC 809
- Mating/Unmating: 500 operations
- Delivered with protective cap

Environmental

- RoHS and REACH compliant
- Fluid resistance : See standard EN 4165-001 (table 40)



| Part | MASS (g) |
|----------------------------|----------|
| Receptacle | 7.5 maxi |
| Keying colour coding plate | 1.2 maxi |
| Sealing gasket | 0.8 maxi |
| Nut plate | 1.0 maxi |

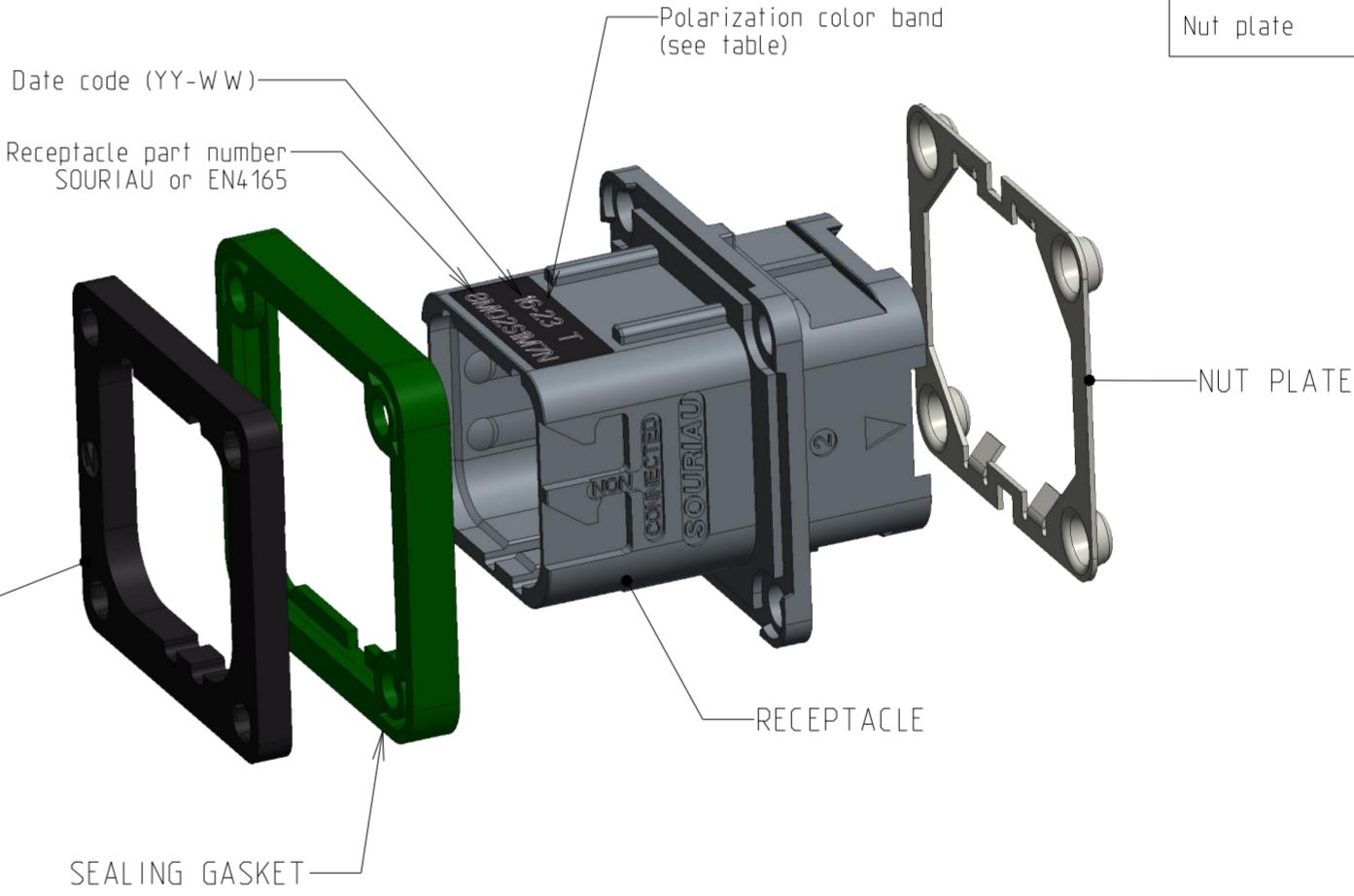
| EN4165 PART NUMBER TABLE | | | | | | | | | |
|-------------------------------|---|---|---|---|---|---|-------------------|---|---|
| Marking on receptacle | | | | | | | Only for ordering | | |
| Range : | EN4165 | M | 7 | 1 | A | N | 0 | U | 0 |
| Plating : | M - Composite nickel plated | | | | | | | | |
| Shell Type : | 7 - Long receptacle | | | | | | | | |
| Module Quantity : | 1 - Mono module | | | | | | | | |
| Serie : | 2 - Serie 2 | | | | | | | | |
| Polarization : | N, A, B, C, D, E, F, G | | | | | | | | |
| Option for coding color plate | 0 : Delivered without keying colour coding plate 1 : Delivered with keying colour coding plate | | | | | | | | |
| Option for sealing gasket | U : Delivered without sealing gasket G : Delivered with sealing gasket | | | | | | | | |
| Option for nut plate | 0 : Delivered without nut plate 1 : Delivered with nut plate | | | | | | | | |

| SOURIAU PART NUMBER TABLE | | | | | | | | | | |
|-------------------------------|---|---|---|---|---|---|-------------------|---|---|---|
| Marking on receptacle | | | | | | | Only for ordering | | | |
| Range : | 8MQ | 2 | S | 1 | M | 7 | N | 0 | U | 0 |
| Serie : | 2 - Serie 2 | | | | | | | | | |
| Type of component : | S - Shell | | | | | | | | | |
| Module Quantity : | 1 - Mono module | | | | | | | | | |
| Plating : | M - Composite nickel plated | | | | | | | | | |
| Shell Type : | 7 - Long receptacle | | | | | | | | | |
| Polarization : | N, A, B, C, D, E, F, G | | | | | | | | | |
| Option for coding color plate | 0 : Delivered without keying colour coding plate 1 : Delivered with keying colour coding plate | | | | | | | | | |
| Option for sealing gasket | U : Delivered without sealing gasket G : Delivered with sealing gasket | | | | | | | | | |
| Option for nut plate | 0 : Delivered without nut plate 1 : Delivered with nut plate | | | | | | | | | |

View of "N" polarization

SCALE 2/1

KEYING COLOUR CODING PLATE (see table for polarization colour)



| | POLARIZATION | Colour |
|---------------------------|--------------|--------|
| Polarization colour table | N | Black |
| | A | Red |
| | B | Blue |
| | C | Green |
| | D | Yellow |
| | E | Pink |
| | F | Grey |

P/N : SEE PART NUMBER TABLE

| | | | |
|------------------------------------|----------|---|--|
| B | 21/05/19 | drawing update for EN4165 creation receptacle | 24230AB |
| ISS | DATE | Latest modification - by: E.FOREST | MOD N° |
| Designed by: H.SIMIER | | Date:20/09/16 | CUSTOMER DRAWING |
| TITLE | | RECEPTACLE 8MQ TYPE 7 BASIC SERIE 8MQ - Based on EN4165/BACC65BV/ARINC 809 | |
| Scale | 3/1 | Dimensions in mm General Linear Tolerances: ± -- | NPRDS / PROJECT BE133702A |
| SOURIAU Connection Technologies | | www.souriau.com | This document is the property of SOURIAU It must not be reproduced or communicated without permission |

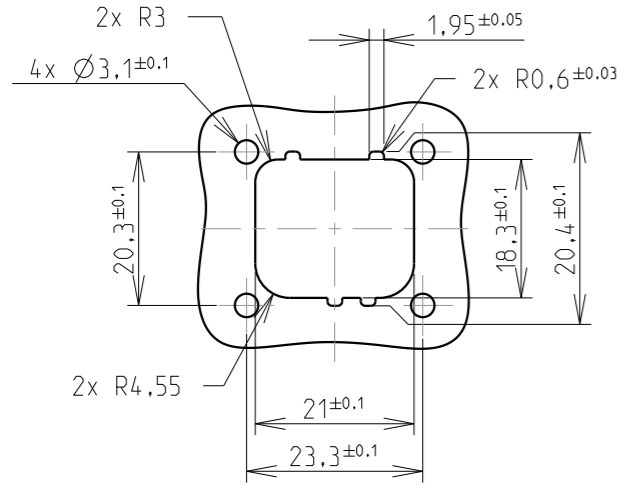
| Country | Jurisdiction & Control List |
|---------|-----------------------------|
| FR | NOT LISTED |

SOURIAU shall not be liable for any non-conformity or damage due to a use of the Products which does not comply with the Specifications issued by either of the Parties or by a third party (professional recommendation, technical notice.)

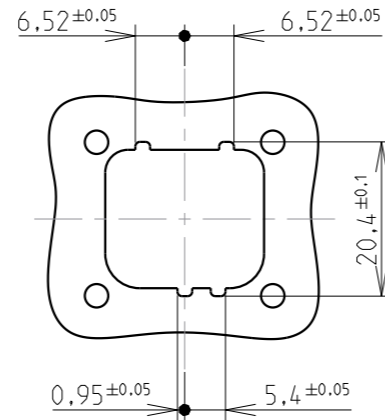
| | | | |
|--------|----|------------------------------|----------------|
| FORMAT | A2 | SOURIAU DRG N° C004-8MQ-A | SHEET 1 / 2 |
|--------|----|------------------------------|----------------|

PANEL CUT-OUT

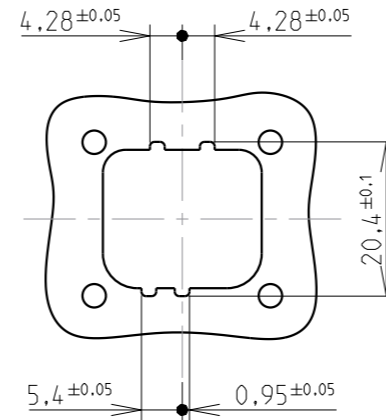
Panel cut out general dimensions



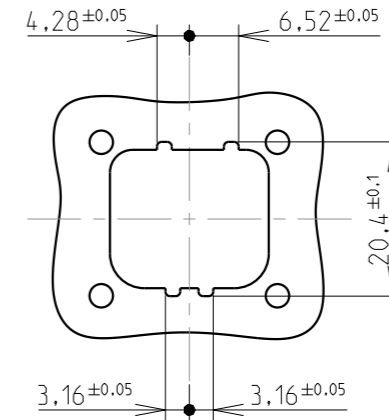
Polarization N



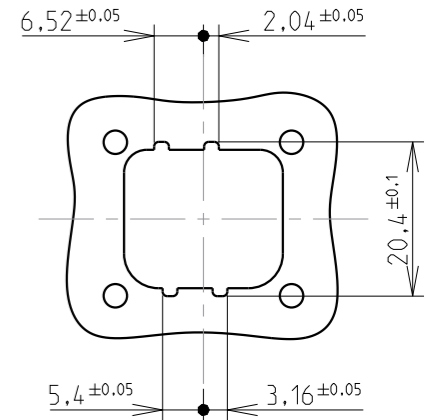
Polarization A



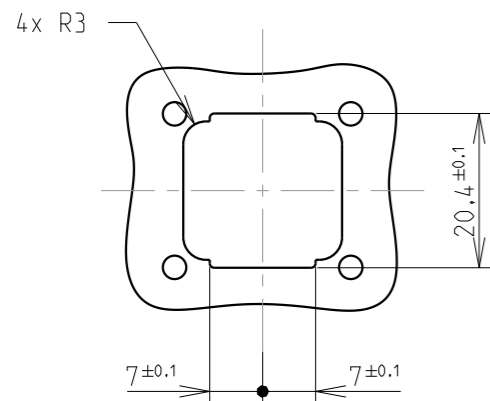
Polarization B



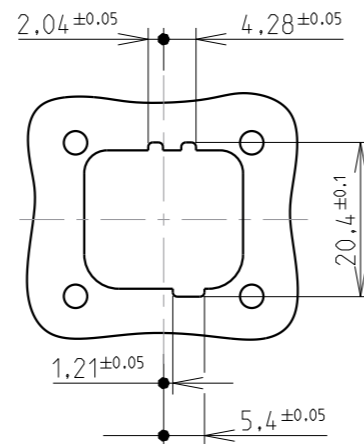
Polarization C



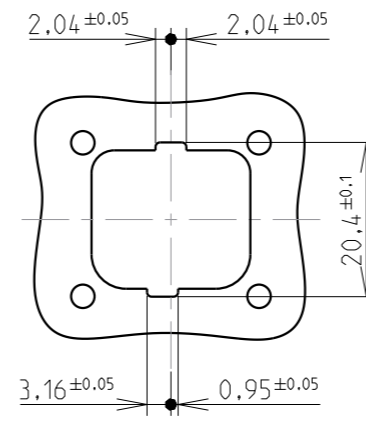
Free mounting cut out dimensions



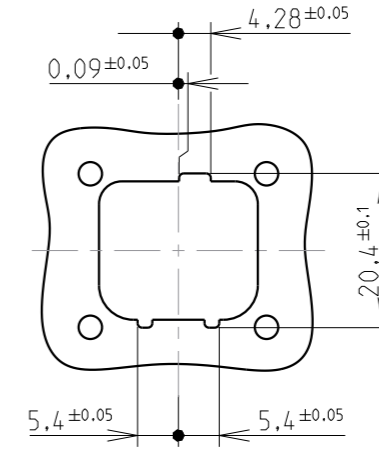
Polarization D



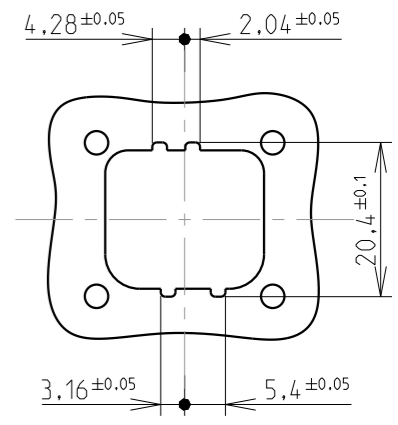
Polarization E



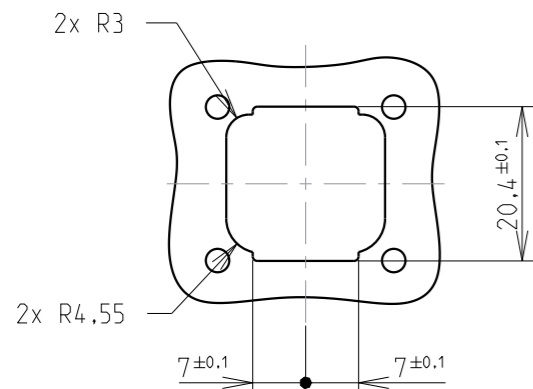
Polarization F



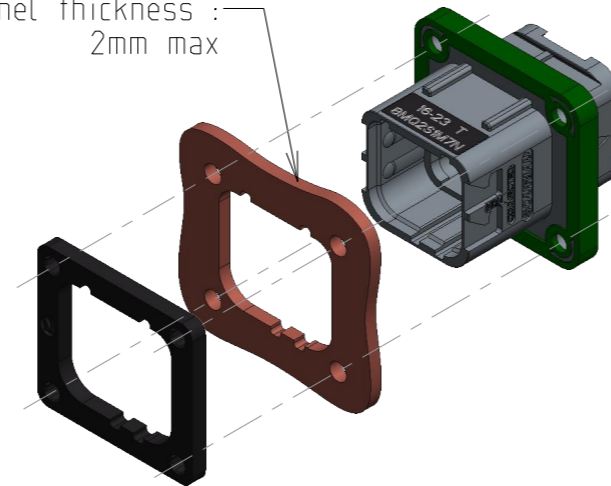
Polarization G



Oriented panel cut out dimensions



Panel thickness :
2mm max



P/N : SEE PART NUMBER TABLE

| | | | | |
|--------------|----------|--|------------------------------|--|
| B | 20/09/16 | drawing update for EN4165 creation receptacle Add marking and codification EN4165 version | | -- |
| ISS | DATE | Latest modification - by: H.SIMIER | | MOD N° |
| Designed by: | | H.SIMIER | Date:20/09/16 | CUSTOMER DRAWING |
| TITLE | | RECEPTACLE 8MQ TYPE 7 BASIC SERIE 8MQ - Based on EN4165/BACC65BV/ARINC 809 | | |
| Scale | 1/1 | General linear Tolerances: ± 0.1 | NPRDS / PROJECT BE133702A | |
| | | WWW.SOURIAU.COM | | This document is the property of SOURIAU It must not be reproduced or communicated without permission |
| FORMAT | A3 | SOURIAU DRG N° C004-8MQ-A | | SHEET 2 / 2 |

| Country | Jurisdiction & Control List |
|---------|-----------------------------|
| FR | NOT LISTED |

SOURIAU shall not be liable for any non-conformity or damage due to a use of the Products which does not comply with the Specifications issued by either of the Parties or by a third party (professional recommendation, technical notice.)

B.3: Validé